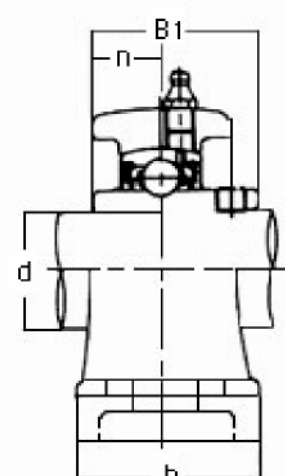
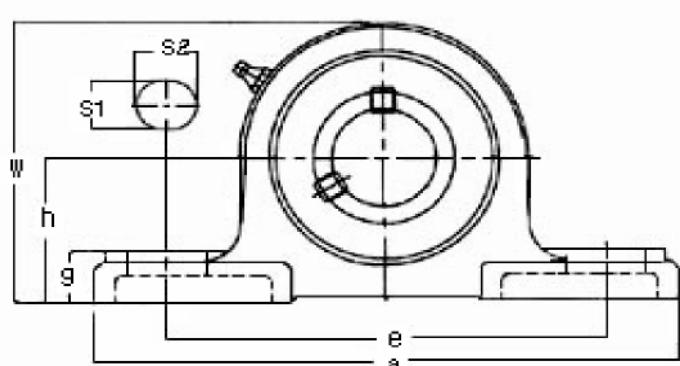


**Bearing Unit UCP2**

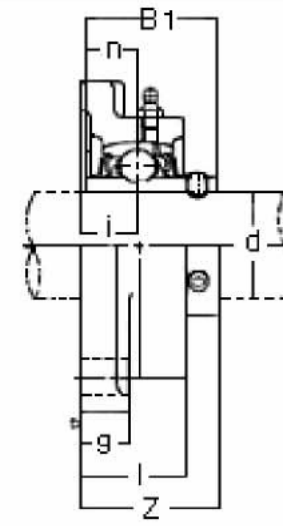
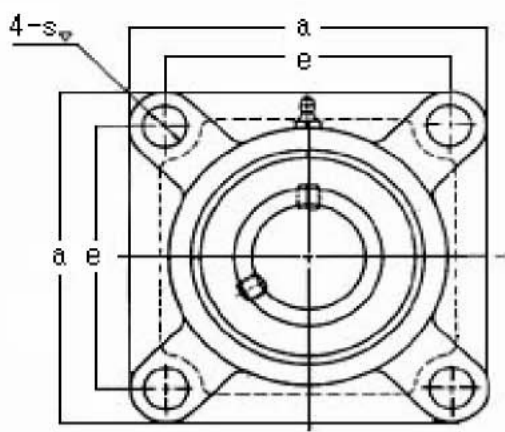


Unit NO.	Shaft Diameter d(mm)	Dimensions (mm)												Mount bolt NO.	Bearing		Housing NO.	Weight (kgf)	
		h	a	e	b	s1	s2	g	w	Bi	n	Wc	Zc		NO.	Basic load rating			
		C(kgf)	Co(kgf)																
UCP201	12	30.2	127	95	38	13	19	12	60	31	12.7	67	62	M10	UC201	1,280	650	P201	0.63
UCP202	15	30.2	127	95	38	13	19	12	60	31	12.7	67	62	M10	UC202	1,280	650	P202	0.61
UCP203	17	30.2	127	95	38	13	19	12	60	31	12.7	67	62	M10	UC203	1,280	650	P203	0.60
UCP204	20	33.3	127	95	38	13	19	13	64	31	12.7	70	62	M10	UC204	1,280	650	P204	0.66
UCP205	25	36.5	140	105	38	13	19	13	71	34	14.3	76	70	M10	UC205	1,400	730	P205	0.80
UCP206	30	42.9	165	121	48	17	21	15	84	38.1	15.9	88	75	M14	UC206	1,950	1,050	P206	1.3
UCP207	35	47.6	167	127	48	17	21	16	93	42.9	17.5	99	80	M14	UC207	2,570	1,430	P207	1.6
UCP208	40	49.2	184	137	54	17	21	17	98	49.2	19	105	90	M14	UC208	2,910	1,650	P208	2.0
UCP209	45	54	190	146	54	17	21	17	106	49.2	19	113	95	M14	UC209	3,200	1,850	P209	2.2
UCP210	50	57.2	206	159	60	20	22	19	113	51.6	19	119	100	M16	UC210	3,510	2,100	P210	2.9
UCP211	55	63.5	219	171	60	20	22	19	125	55.6	22.2	130	100	M16	UC211	4,330	2,660	P211	3.6
UCP212	60	69.8	241	184	70	20	25	22	138	65.1	25.4	143	115	M16	UC212	5,240	3,300	P212	4.9
UCP213	65	76.2	265	203	70	25	30	25	150	65.1	25.4	155	120	M20	UC213	5,720	3,650	P213	5.9
UCP214	70	79.4	266	210	72	25	30	28	156	74.6	30.2	162	135	M20	UC214	6,220	4,000	P214	6.8

UCP215	75	82.6	275	217	74	25	30	28	162	77.8	33.3	168	135	M20	UC215	6,740	4,400	P215	7.4
UCP216	80	88.9	292	232	78	25	35	32	174	82.6	33.3	181	145	M20	UC216	7,260	4,750	P216	9.0
UCP217	85	95.2	310	247	83	25	40	32	185	85.7	34.1	191	155	M20	UC217	8,390	5,600	P217	10.8
UCP218	90	101.6	327	262	88	27	45	34	198	96	39.7	204	165	M22	UC218	9,600	6,450	P218	13.9

[Kind of Ball Bearing & units](#)

**Bearing Unit UCF2**

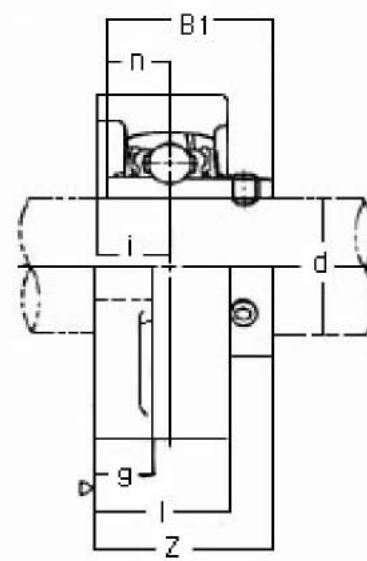
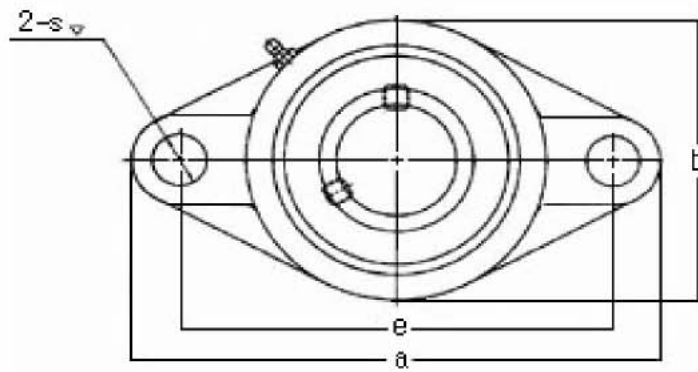


Unit NO.	Shaft Diameter d(mm)	Dimensions (mm)									Mount bolt NO.	Bearing		Housing NO.	Weight (kgf)	
		a	e	i	g	l	s	Z	B1	n		NO.	Basic load rating			
													C(kgf)			Co(kgf)
UCF201	12	86	64	15	11	25.5	12	33.3	31	12.7	M10	UC201	1,280	650	F204	0.64
UCF202	15	86	64	15	11	25.5	12	33.3	31	12.7	M10	UC202	1,280	650	F204	0.62
UCF203	17	86	64	15	11	25.5	12	33.3	31	12.7	M10	UC203	1,280	650	F204	0.61
UCF204	20	86	64	15	11	25.5	12	33.3	31	12.7	M10	UC204	1,280	650	F204	0.59
UCF205	25	95	70	16	13	27	12	35.7	34	14.3	M10	UC205	1,400	730	F205	0.83
UCF206	30	108	83	18	13	31	12	40.2	38.1	15.9	M10	UC206	1,950	1,050	F206	1.1
UCF207	35	117	92	19	15	34	14	44.4	42.9	17.5	M12	UC207	2,570	1,430	F207	1.5
UCF208	40	130	102	21	15	36	16	51.2	49.2	19	M14	UC208	2,910	1,650	F208	1.9
UCF209	45	137	105	22	16	38	16	52.2	49.2	19	M14	UC209	3,200	1,850	F209	2.2
UCF210	50	143	111	22	16	40	16	54.6	51.6	19	M14	UC210	3,510	2,100	F210	2.5
UCF211	55	162	130	25	18	43	19	58.4	55.6	22.2	M16	UC211	4,330	2,660	F211	3.4
UCF212	60	175	143	29	18	48	19	68.7	65.1	25.4	M16	UC212	5,240	3,300	F212	4.2
UCF213	65	187	149	30	22	50	19	69.7	65.1	25.4	M16	UC213	5,720	3,650	F213	5.2

UCF214	70	193	152	31	22	54	19	75.4	74.6	30.2	M16	UC214	6,220	4,000	F214	5.9
UCF215	75	200	159	34	22	56	19	78.5	77.8	33.3	M16	UC215	6,740	4,400	F215	6.4
UCF216	80	208	165	34	22	58	23	83.3	82.6	33.3	M20	UC216	7,260	4,750	F216	7.3
UCF217	85	220	175	36	24	63	23	87.6	85.7	34.1	M20	UC217	8,390	5,600	F217	8.9
UCF218	90	235	187	40	25	68	23	96.3	96	39.7	M20	UC218	9,600	6,450	F218	11.4

**Kind of Ball Bearing & units**

**Bearing Unit UCFL2**



Unit NO.	Shaft Diameter d(mm)	Dimensions (mm)										Mount bolt NO.	Bearing		Housing NO.	Weight (kgf)	
		a	e	i	g	l	s	b	Z	B1	n		NO.	Basic load rating			
														C(kgf)			Co(kgf)
UCFL201	12	113	90	15	11	25.5	12	60	33.3	31	12.7	M10	UC201	1,280	650	FL204	0.50
UCFL202	15	113	90	15	11	25.5	12	60	33.3	31	12.7	M10	UC202	1,280	650	FL204	0.48
UCFL203	17	113	90	15	11	25.5	12	60	33.3	31	12.7	M10	UC203	1,280	650	FL204	0.47
UCFL204	20	113	90	15	11	25.5	12	60	33.3	31	12.7	M10	UC204	1,280	650	FL204	0.45
UCFL205	25	130	99	16	13	27	16	68	35.7	34	14.3	M14	UC205	1,400	730	FL205	0.64
UCFL206	30	148	117	18	13	31	16	80	40.2	38.1	15.9	M14	UC206	1,950	1,050	FL206	0.93
UCFL207	35	161	130	19	14	34	16	90	44.4	42.9	17.5	M14	UC207	2,570	1,430	FL207	1.2
UCFL208	40	175	144	21	14	36	16	100	51.2	49.2	19	M14	UC208	2,910	1,650	FL208	1.6
UCFL209	45	188	148	22	15	38	19	108	52.2	49.2	19	M16	UC209	3,200	1,850	FL209	1.9
UCFL210	50	197	157	22	15	40	19	115	54.6	51.6	19	M16	UC210	3,510	2,100	FL210	2.2
UCFL211	55	224	184	25	18	43	19	130	58.4	55.6	22.2	M16	UC211	4,330	2,660	FL211	3.3
UCFL212	60	250	202	29	18	48	23	140	68.7	65.1	25.4	M20	UC212	5,240	3,300	FL212	4.2
UCFL213	65	258	210	30	20	50	23	155	69.7	65.1	25.4	M20	UC213	5,720	3,650	FL213	5.1

UCFL214	70	265	216	31	20	54	23	160	75.4	74.6	30.2	M20	UC214	6,220	4,000	FL214	5.7
UCFL215	75	275	225	34	20	56	23	165	78.5	77.8	33.3	M20	UC215	6,740	4,400	FL215	6.4
UCFL216	80	290	233	34	20	58	25	180	83.3	82.6	33.3	M22	UC216	7,260	4,750	FL216	7.8
UCFL217	85	302	248	36	22	63	25	190	87.6	85.7	34.1	M22	UC217	8,390	5,600	FL217	9.8
UCFL218	90	320	265	40	23	68	25	205	96.3	96	39.7	M22	UC218	9,600	6,450	FL218	12.3

[Kind of Ball Bearing & units](#)