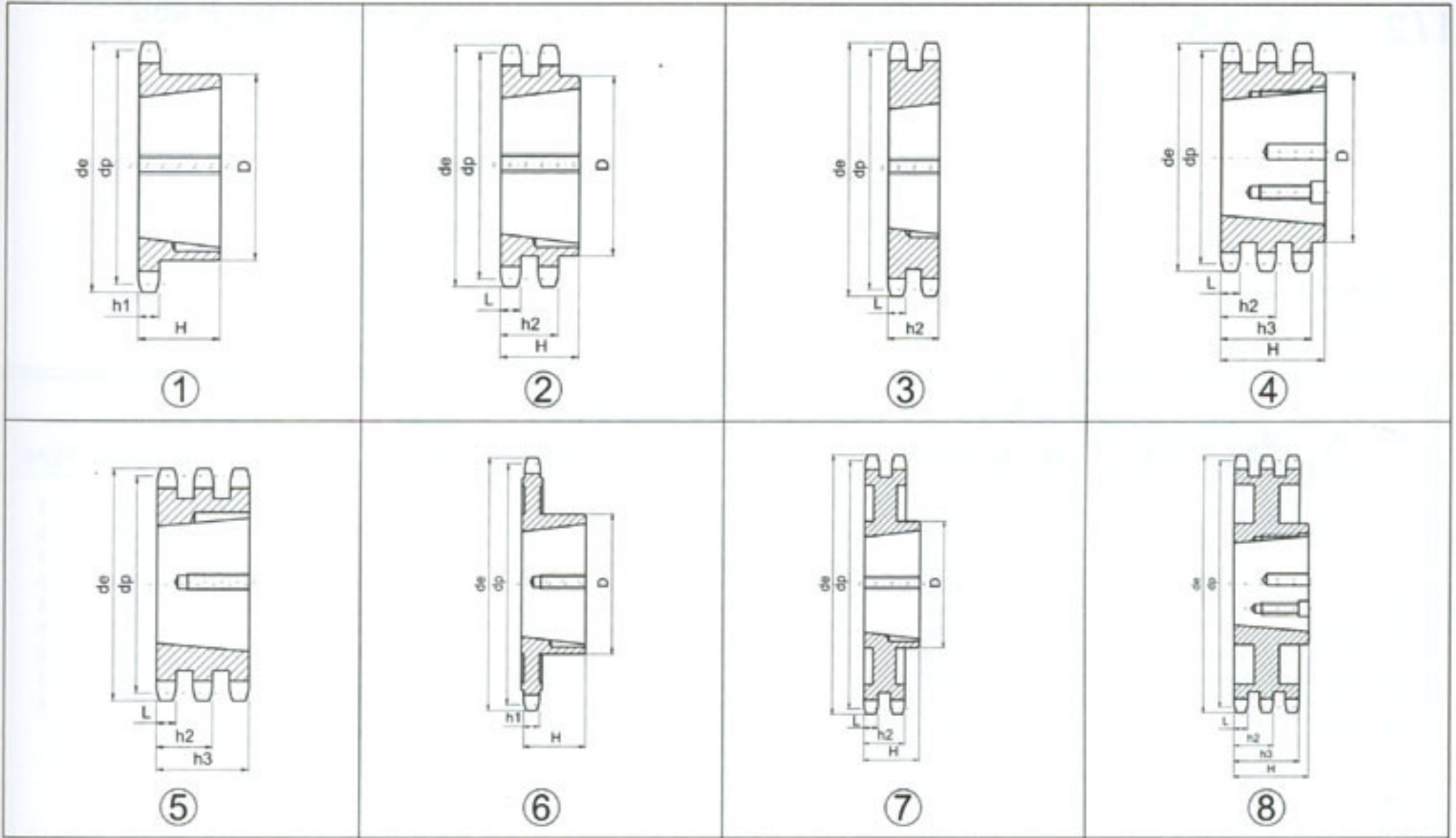


Taper Bore Sprockets

Taper Bore

For Roller Chains DIN8187-ISO/R 606



3/8" × 7/32"

06B-1-2-3 9.525 × 5.72 mm DIN 8187 ISO/R 606

Steel=C45
*Cast iron=G22

CHAIN:	ISO mm
Pitch	9.525
Internal width	5.72
Roller φ	6.35

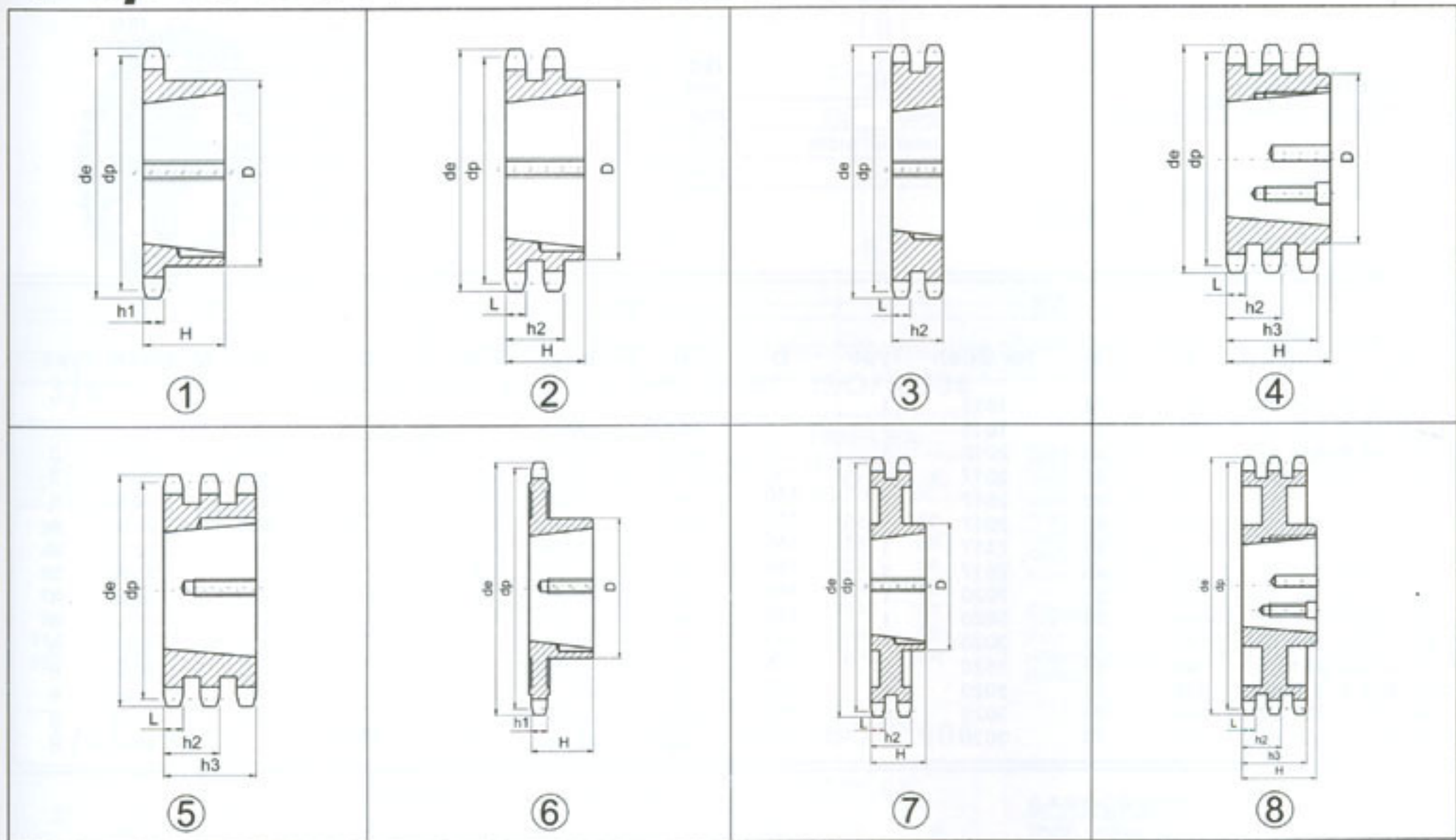
SPROCKETS	ISO mm
Tooth radius r	10
Radius width C	1
Tooth width h ₁	5.3
Tooth width L	5.2
Tooth width h ₂	15.4
Tooth width h ₃	25.6

Z	d _e	d _p	TS				TD				TT			
			D	H	for Bush	Type	D	H	for Bush	Type	D	H	for Bush	Type
17	55.3	51.83	45	22	1008	1	41	22	1008	2	—	25.6	1008	5
19	61.3	57.87	45	22	1008	1	46	22	1008	2	—	25.6	1008	5
21	68.0	63.91	46	22	1008	1	49	22	1008	2	—	25.6	1008	5
23	73.5	69.95	63	25	1210	1	59	25	1210	2	—	25.6	1210	5
25	80.0	76.02	63	25	1210	1	64	25	1210	2	—	25.6	1210	5
27	86.0	82.02	63	25	1210	1	70	25	1210	2	—	25.6	1210	5
30	94.7	91.12	63	25	1210	1	75	25	1210	2	79	38	1615	4
•38	119.5	115.35	70	25	1210	1	80	25	1610	2	90	38	1615	4
•45	140.7	136.55	70	25	1210	1	80	25	1610	2				
•57	176.9	172.91	70	25	1210	6	80	25	1610	7				
•76	234.9	230.49	70	25	1210	6	80	25	1610	7				
•95	292.5	288.08	80	25	1210	6	90	25	1610	7				
•114	349.5	345.68	80	25	1210	6	95	38	1615	7				

Taper Bore Sprockets

Taper Bore

For Roller Chains DIN8187-ISO/R 606



3/4" × 7/16"

12B-1-2-3 19.05×11.68mm DIN 8187 ISO/R 606

Steel=C45
*Cast iron=G22

CHAIN:	ISO mm
Pitch	19.05
Internal width	11.68
Roller φ	12.07

SPROCKETS	ISO mm
Tooth radius r	19
Radius width C	2
Tooth width h ₁	11.1
Tooth width L	10.8
Tooth width h ₂	30.3
Tooth width h ₃	49.8

Z	d _e	d _p	TS				TD				TT			
			D	H	for Bush	Type	D	H	for Bush	Type	D	H	for Bush	Type
13	87.5	79.59	60	25	1210	1	—	30.3	1610	3	—	49.8	1615	5
15	99.8	91.63	70	25	1610	1	—	30.3	1610	3	—	49.8	1615	5
17	111.5	103.67	76	25	1610	1	90	32	2012	2	—	49.8	2012	5
19	124.2	115.75	90	32	2012	1	108	45	2517	2	—	49.8	2517	5
21	136.0	127.82	102	45	2517	1	108	45	2517	2	—	49.8	2517	5
23	149.0	139.90	108	45	2517	1	108	45	2517	2	—	49.8	2517	5
25	160.0	152.00	108	45	2517	1	108	45	2517	2	—	49.8	2517	5
27	172.3	164.00	108	45	2517	1	108	45	2517	2	140	51	3020	4
30	190.5	182.25	108	45	2517	1	108	45	2517	2	140	51	3020	4
38	239.0	230.69	108	45	2517	1	140	51	3020	2	140	51	3020	4
45	282.5	273.10	108	45	2517	6	140	51	3020	7	140	51	3020	8
57	355.4	345.81	108	45	2517	6	140	51	3020	7	140	51	3020	8
76	469.9	460.99	108	45	2517	6	140	51	3020	7	140	51	3020	8
95	585.1	576.17	108	45	2517	6	140	51	3020	7	140	76	3030	8
114	700.6	691.36	108	64	2525	6	140	76	3030	7	140	76	3030	8

Taper Bore Sprockets

1" × 17.02 mm

16B-1-2-3 25.4×17.2 mm DIN 8187 ISO/R 606

Steel=C45
*Cast iron=G22

CHAIN:	ISO mm
Pitch	25.4
Internal width	17.02
Roller φ	15.88

SPROCKETS	ISO mm
Tooth radius r	26
Radius width C	2.5
Tooth width h ₁	16.2
Tooth width L	15.8
Tooth width h ₂	47.7
Tooth width h ₃	79.6

Z	d _e	d _p	TS				TD				TT						
			D	H	for Bush	Type	D	H	for Bush	Type	D	H	for Bush	Type			
13	117.0	106.12	73	38	1615	1	—	—	—	—	—	—	—	—	—	—	—
15	133.0	122.17	76	38	1615	1	—	47.7	2012	3	—	79.6	2517	5	—	—	—
17	149.0	138.22	90	32	2012	1	—	47.7	2517	3	—	79.6	3030	5	—	—	—
19	165.2	154.33	108	45	2517	1	—	47.7	2517	3	—	79.6	3030	5	—	—	—
21	181.2	170.43	110	45	2517	1	140	51	3020	2	—	79.6	3030	5	—	—	—
23	197.5	186.53	110	45	2517	1	140	51	3020	2	159	89	3535	4	—	—	—
25	213.5	202.66	110	45	2517	1	140	51	3020	2	175	89	3535	4	—	—	—
27	229.6	218.79	110	45	2517	1	140	51	3020	2	175	89	3535	4	—	—	—
30	254.0	243.00	140	51	3020	1	140	76	3030	2	175	89	3535	4	—	—	—
38	320.7	307.59	140	51	3020	1	140	76	3030	2	175	89	3535	4	—	—	—
45	377.1	364.13	140	51	3020	6	140	76	3030	7	215	102	4040	8	—	—	—
• 57	474.0	461.07	140	51	3020	6	175	89	3535	7	215	102	4040	8	—	—	—
• 76	627.0	614.65	140	51	3020	6	175	89	3535	7	215	102	4040	8	—	—	—
• 95	781.1	768.22	140	51	3020	6	215	102	4040	7	215	102	4040	8	—	—	—
• 114	934.3	921.81	140	76	3020	6	215	102	4040	7	260	114	4045	8	—	—	—

1"1/4 × 3/4"

20B-1-2-3 31.75×19.56 mm DIN 8187 ISO/R 606

Steel=C45
*Cast iron=G22

CHAIN:	ISO mm
Pitch	31.75
Internal width	19.56
Roller φ	19.05

SPROCKETS	ISO mm
Tooth radius r	32
Radius width C	3.5
Tooth width h ₁	18.5
Tooth width L	18.2
Tooth width h ₂	54.6
Tooth width h ₃	91

Z	d _e	d _p	TS			
			D	H	for Bush	Type
13	147.8	132.65	90	32	2012	1
15	167.9	152.72	108	45	2517	1
17	187.9	172.78	108	45	2517	1
19	208.1	192.91	108	45	2517	1
21	228.2	213.04	108	45	2517	1
23	248.3	233.17	108	45	2517	1
25	268.5	253.33	108	45	2517	1
27	288.6	273.40	150	51	3020	1
30	318.9	303.75	150	51	3020	1
38	399.6	384.49	160	51	3020	6
• 45	470.3	455.17	160	51	3020	6
• 57	591.5	576.36	160	51	3020	6
• 76	783.5	768.32	160	51	3020	6