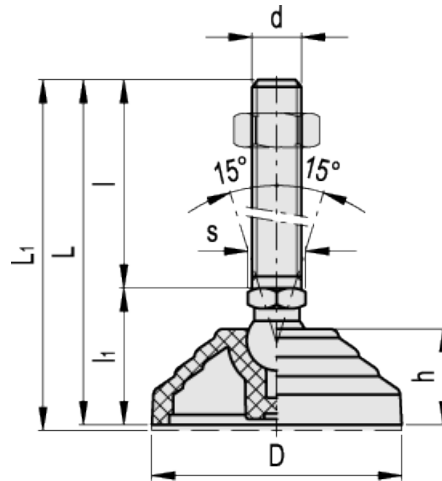


LV.A

Levelling elements



Yello =e/s geel = voorraad jaune = disponible

Elesa Standards

LV.A	LV.A-AS	Main dimensions					Threaded stem		Wrench	Max static load*			
Code	Description	Code	Description	D	L	L _{1#}	l ₁	h	d	l	Ø	s	[N]
303121	LV.A-60-14-M8x43	307121	LV.A-60-14-AS-M8x43	60	76	79	33	24	M8	43	14	14	14000
303125	LV.A-60-14-M8x68	307125	LV.A-60-14-AS-M8x68	60	101	104	33	24	M8	68	14	14	14000
303221	LV.A-60-14-M10x43	307221	LV.A-60-14-AS-M10x43	60	76	79	33	24	M10	43	14	14	14000
303225	LV.A-60-14-M10x68	307225	LV.A-60-14-AS-M10x68	60	101	104	33	24	M10	68	14	14	14000
303231	LV.A-60-14-M10x98	307231	LV.A-60-14-AS-M10x98	60	131	134	33	24	M10	98	14	14	14000
303321	LV.A-60-14-M12x43	307321	LV.A-60-14-AS-M12x43	60	76	79	33	24	M12	43	14	14	14000
303325	LV.A-60-14-M12x68	307325	LV.A-60-14-AS-M12x68	60	101	104	33	24	M12	68	14	14	14000
303331	LV.A-60-14-M12x98	307331	LV.A-60-14-AS-M12x98	60	131	134	33	24	M12	98	14	14	14000
303521	LV.A-60-14-M16x68	307521	LV.A-60-14-AS-M16x68	60	101	104	33	24	M16	68	14	16	14000
303525	LV.A-60-14-M16x108	307525	LV.A-60-14-AS-M16x108	60	141	144	33	24	M16	108	14	16	14000
303541	LV.A-60-14-M16x148	307541	LV.A-60-14-AS-M16x148	60	181	184	33	24	M16	148	14	16	14000
303561	LV.A-60-14-M16x168	307561	LV.A-60-14-AS-M16x168	60	201	204	33	24	M16	168	14	16	14000
303621	LV.A-60-24-M16x58	307621	LV.A-60-24-AS-M16x58	60	101	104	43	24	M16	58	24	24	18000
303625	LV.A-60-24-M16x98	307625	LV.A-60-24-AS-M16x98	60	141	144	43	24	M16	98	24	24	18000
303641	LV.A-60-24-M16x138	307641	LV.A-60-24-AS-M16x138	60	181	184	43	24	M16	138	24	24	18000

Elesa Standards		Main dimensions					Threaded stem		Wrench	Max static			
LV.A	LV.A-AS	D	L	L _{1#}	l ₁	h	d	l	Ø	s	[N]		
Code	Description	Code	Description										
	24-M16x138		AS-M16x138										
303661	LV.A-60-24-M16x158	307661	LV.A-60-24-AS-M16x158	60	201	204	43	24	M16	158	24	24	18000
303725	LV.A-60-24-M20x98	307725	LV.A-60-24-AS-M20x98	60	141	144	43	24	M20	98	24	24	18000
303741	LV.A-60-24-M20x138	307741	LV.A-60-24-AS-M20x138	60	181	184	43	24	M20	138	24	24	18000
303761	LV.A-60-24-M20x158	307761	LV.A-60-24-AS-M20x158	60	201	204	43	24	M20	158	24	24	18000
303781	LV.A-60-24-M20x198	307781	LV.A-60-24-AS-M20x198	60	241	244	43	24	M20	198	24	24	18000
303825	LV.A-60-24-M24x98	307825	LV.A-60-24-AS-M24x98	60	141	144	43	24	M24	98	24	24	18000
303861	LV.A-60-24-M24x158	307861	LV.A-60-24-AS-M24x158	60	201	204	43	24	M24	158	24	24	18000
303881	LV.A-60-24-M24x198	307881	LV.A-60-24-AS-M24x198	60	241	244	43	24	M24	198	24	24	18000

* The max static load is the value above which the load applied to the element may cause some plastic material breakage, in particular conditions of use. Obviously, a factor that takes into consideration the importance and the safety level of the specific application must be applied to this value. # Data with no-slip disk mounted.

Elesa Standards		Main dimensions					Threaded stem		Articulation	Wrench	Max static		
LV.A	LV.A-AS	D	L	L _{1#}	l ₁	h	d	l	Ø	s	load* [N]		
Code	Description	Code	Description										
304005	LV.A-70-14-M8x43	308005	LV.A-70-14-AS-M8x43	70	71	74	28	19	M8	43	14	14	14000
304011	LV.A-70-14-M8x68	308011	LV.A-70-14-AS-M8x68	70	96	99	28	19	M8	68	14	14	14000
304021	LV.A-70-14-M10x43	308021	LV.A-70-14-AS-M10x43	70	71	74	28	19	M10	43	14	14	14000
304025	LV.A-70-14-M10x68	308025	LV.A-70-14-AS-M10x68	70	96	99	28	19	M10	68	14	14	14000
304031	LV.A-70-14-M10x98	308031	LV.A-70-14-AS-M10x98	70	126	129	28	19	M10	98	14	14	14000
304061	LV.A-70-14-M12x43	308061	LV.A-70-14-AS-M12x43	70	71	74	28	19	M12	43	14	14	14000
304065	LV.A-70-14-M12x68	308065	LV.A-70-14-AS-M12x68	70	96	99	28	19	M12	68	14	14	14000
304071	LV.A-70-14-M12x98	308071	LV.A-70-14-AS-M12x98	70	126	129	28	19	M12	98	14	14	14000

Elesa Standards				Main dimensions	Threaded stem	Articulation	Wrench	Max static					
LV.A	LV.A-AS												
Code	Description	Code	Description	D	L	L _{1#}	l ₁	h	d	l	Ø	s	[N]
	14-M12x98		AS-M12x98										
304101	LV.A-70-14-M16x68	308101	LV.A-70-14-AS-M16x68	70	96	99	28	19	M16	68	14	16	14000
304105	LV.A-70-14-M16x108	308105	LV.A-70-14-AS-M16x108	70	136	139	28	19	M16	108	14	16	14000
304111	LV.A-70-14-M16x148	308111	LV.A-70-14-AS-M16x148	70	176	179	28	19	M16	148	14	16	14000
304115	LV.A-70-14-M16x168	308115	LV.A-70-14-AS-M16x168	70	196	199	28	19	M16	168	14	16	14000

* The max static load is the value above which the load applied to the element may cause some plastic material breakage, in particular conditions of use. Obviously, a factor that takes into consideration the importance and the safety level of the specific application must be applied to this value. # Data with no-slip disk mounted.

Elesa Standards				Main dimensions	Threaded stem	Articulation	Wrench	Max limit static load*	Weight						
LV.A	LV.A-AS								[N]	g	g#				
Code	Description	Code	Description	D	L	L _{1#}	l ₁	h	d	l	Ø	s	[N]	g	g#
304121	LV.A-80-14-M8x43	308121	LV.A-80-14-AS-M8x43	80	76	79	33	24	M8	43	14	14	16000	83	109
304125	LV.A-80-14-M8x68	308125	LV.A-80-14-AS-M8x68	80	101	104	33	24	M8	68	14	14	16000	95	121
304221	LV.A-80-14-M10x43	308221	LV.A-80-14-AS-M10x43	80	76	79	33	24	M10	43	14	14	16000	92	118
304225	LV.A-80-14-M10x68	308225	LV.A-80-14-AS-M10x68	80	101	104	33	24	M10	68	14	14	16000	104	130
304231	LV.A-80-14-M10x98	308231	LV.A-80-14-AS-M10x98	80	131	134	33	24	M10	98	14	14	16000	118	144
304321	LV.A-80-14-M12x43	308321	LV.A-80-14-AS-M12x43	80	76	79	33	24	M12	43	14	14	16000	102	128
304325	LV.A-80-14-M12x68	308325	LV.A-80-14-AS-M12x68	80	101	104	33	24	M12	68	14	14	16000	119	145
304331	LV.A-80-14-M12x98	308331	LV.A-80-14-AS-M12x98	80	131	134	33	24	M12	98	14	14	16000	140	166
304521	LV.A-80-14-M16x68	308521	LV.A-80-14-AS-M16x68	80	101	104	33	24	M16	68	14	16	16000	163	189
304525	LV.A-80-14-M16x108	308525	LV.A-80-14-AS-M16x108	80	141	144	33	24	M16	108	14	16	16000	215	241
304541	LV.A-80-14-M16x148	308541	LV.A-80-14-AS-M16x148	80	181	184	33	24	M16	148	14	16	16000	267	293
304561	LV.A-80-14-M16x168	308561	LV.A-80-14-AS-M16x168	80	201	204	33	24	M16	168	14	16	16000	293	319

Elesa Standards		Elesa Standards		Main dimensions			Threaded stem		Articulation	Wrench	Max limit	Weight			
LV.A	LV.A-AS	LV.A	LV.A-AS	D	L	L _{1#}	l ₁	h	d	l	Ø	s	[N]	g	g#
Code	Description	Code	Description												
304621	LV.A-80-24-M16x58	308621	LV.A-80-24-AS-M16x58	80	101	104	43	24	M16	58	24	24	18000	225	251
304625	LV.A-80-24-M16x98	308625	LV.A-80-24-AS-M16x98	80	141	144	43	24	M16	98	24	24	18000	276	302
304641	LV.A-80-24-M16x138	308641	LV.A-80-24-AS-M16x138	80	181	184	43	24	M16	138	24	24	18000	326	352
304661	LV.A-80-24-M16x158	308661	LV.A-80-24-AS-M16x158	80	201	204	43	24	M16	158	24	24	18000	353	379
304725	LV.A-80-24-M20x98	308725	LV.A-80-24-AS-M20x98	80	141	144	43	24	M20	98	24	24	18000	346	372
304741	LV.A-80-24-M20x138	308741	LV.A-80-24-AS-M20x138	80	181	184	43	24	M20	138	24	24	18000	425	451
304761	LV.A-80-24-M20x158	308761	LV.A-80-24-AS-M20x158	80	201	204	43	24	M20	158	24	24	18000	464	490
304781	LV.A-80-24-M20x198	308781	LV.A-80-24-AS-M20x198	80	241	244	43	24	M20	198	24	24	18000	547	573
304825	LV.A-80-24-M24x98	308825	LV.A-80-24-AS-M24x98	80	141	144	43	24	M24	98	24	24	18000	444	470
304861	LV.A-80-24-M24x158	308861	LV.A-80-24-AS-M24x158	80	201	204	43	24	M24	158	24	24	18000	616	642
304881	LV.A-80-24-M24x198	308881	LV.A-80-24-AS-M24x198	80	241	244	43	24	M24	198	24	24	18000	734	760

* The max static load is the value above which the load applied to the element may cause some plastic material breakage, in particular conditions of use. Obviously, a factor that takes into consideration the importance and the safety level of the specific application must be applied to this value. # Data with no-slip disk mounted.



Elesa Standards		Elesa Standards		Main dimensions			Threaded stem		Articulation	Wrench	Max limit	Weight			
LV.A	LV.A-AS	LV.A	LV.A-AS	D	L	L _{1#}	l ₁	h	d	l	Ø	s	[N]	g	g#
Code	Description	Code	Description												
305521	LV.A-100-24-M16x58	309521	LV.A-100-24-AS-M16x58	10	10	10	4	2	M16	58	24	24	25000	25	3015

Elesa Standards				Main dimensions		Threaded stem		Articulation	Wrench	Max limit	Weight			
LV.A	LV.A-AS			D	L	L ₁ #	l ₁ h	d	l	Ø	s	[N]	g	g#
Code	Description	Code	Description											
305525	LV.A-100-24-M16x98	309525	LV.A-100-24-AS-M16x98	100	141	144	43 24	M16	98	24	24	25000	302	356
305541	LV.A-100-24-M16x138	309541	LV.A-100-24-AS-M16x138	100	181	184	43 24	M16	138	24	24	25000	352	406
305561	LV.A-100-24-M16x158	309561	LV.A-100-24-AS-M16x158	100	201	204	43 24	M16	158	24	24	25000	379	433
305625	LV.A-100-24-M20x98	309625	LV.A-100-24-AS-M20x98	100	141	144	43 24	M20	98	24	24	25000	372	426
305641	LV.A-100-24-M20x138	309641	LV.A-100-24-AS-M20x138	100	181	184	43 24	M20	138	24	24	25000	451	505
305661	LV.A-100-24-M20x158	309661	LV.A-100-24-AS-M20x158	100	201	204	43 24	M20	158	24	24	25000	490	544
305681	LV.A-100-24-M20x198	309681	LV.A-100-24-AS-M20x198	100	241	244	43 24	M20	198	24	24	25000	573	627
305725	LV.A-100-24-M24x98	309725	LV.A-100-24-AS-M24x98	100	141	144	43 24	M24	98	24	24	25000	470	524
305761	LV.A-100-24-M24x158	309761	LV.A-100-24-AS-M24x158	100	201	204	43 24	M24	158	24	24	25000	642	696
305781	LV.A-100-24-M24x198	309781	LV.A-100-24-AS-M24x198	100	241	244	43 24	M24	198	24	24	25000	760	814

* The max static load is the value above which the load applied to the element may cause some plastic material breakage, in particular conditions of use. Obviously, a factor that takes into consideration the importance and the safety level of the specific application must be applied to this value. # Data with no-slip disk mounted.



Elesa Standards				Main dimensions		Threaded stem		Articulation	Wrench	Max limit	Weight			
LV.A	LV.A-AS			D	L	L ₁ #	l ₁ h	d	l	Ø	s	[N]	g	g#
Code	Description	Code	Description											
306521	LV.A-125-24-M16x58	310221	LV.A-125-24-AS-M16x58	12	12	12	6 4	M16	58	24	24	28000	386	512

Elesa Standards				Main		Threaded		Articulation		Wrench		Max		Weight	
LV.A		LV.A-AS		dimensions		stem		Ø		s		limit		g#	
Code	Description	Code	Description	D	L	L ₁ #	L ₁ h	d	l	Ø	s	[N]	g	g#	
306525	LV.A-125-24-M16x98	310225	LV.A-125-24-AS-M16x98	125	165	168	6746	M16	98	24	24	28000	437	563	
306541	LV.A-125-24-M16x138	310241	LV.A-125-24-AS-M16x138	125	205	208	6746	M16	138	24	24	28000	487	613	
306561	LV.A-125-24-M16x158	310261	LV.A-125-24-AS-M16x158	125	225	228	6746	M16	158	24	24	28000	514	640	
306625	LV.A-125-24-M20x98	310325	LV.A-125-24-AS-M20x98	125	165	168	6746	M20	98	24	24	28000	507	633	
306641	LV.A-125-24-M20x138	310341	LV.A-125-24-AS-M20x138	125	205	208	6746	M20	138	24	24	28000	586	712	
306661	LV.A-125-24-M20x158	310361	LV.A-125-24-AS-M20x158	125	225	228	6746	M20	158	24	24	28000	625	751	
306681	LV.A-125-24-M20x198	310381	LV.A-125-24-AS-M20x198	125	265	268	6746	M20	198	24	24	28000	708	834	
306725	LV.A-125-24-M24x98	310425	LV.A-125-24-AS-M24x98	125	165	168	6746	M24	98	24	24	28000	605	731	
306761	LV.A-125-24-M24x158	310461	LV.A-125-24-AS-M24x158	125	225	228	6746	M24	158	24	24	28000	777	903	
306781	LV.A-125-24-M24x198	310481	LV.A-125-24-AS-M24x198	125	265	268	6746	M24	198	24	24	28000	895	1021	

* The max static load is the value above which the load applied to the element may cause some plastic material breakage, in particular conditions of use. Obviously, a factor that takes into consideration the importance and the safety level of the specific application must be applied to this value. # Data with no-slip disk mounted.

Base

Glass-fibre reinforced polyamide based (PA) technopolymer. Resistant to solvents, oils, greases and other chemical agents.

Colour

Black, matte finish.

Articulated stem

Threaded zinc-plated steel with regulation hexagon.

Standard executions

- LV.A: without no-slip disk.

- LV.A-AS: with NBR rubber no-slip disk, hardness 70 Shore A, supplied assembled to the base.

The particular assembling system of the no-slip disk to the base assures a perfect anchoring, preventing separation even in case of impact during transport or of adhesion to the floor (see [No-slip disks](#)).